

Right for cattle. Right by you.

ElancoTM

2024 Elanco Cattle Fall Bonus Brand Savings for Producers



Stay One Step Ahead as the seasons change and SAVE with Elanco this fall!

Purchase select Elanco brands during this program period and receive a rebate based on your purchase volume!

- **Control costly internal parasites, flies and lice with Elanco parasiticides and insecticides.**
- **Confidently treat BRD when it strikes with Elanco anti-infectives.**
- **Prevent respiratory challenges with Elanco vaccines.**
- **Increase growth efficiency with Elanco implants.**

Deworming Matters

Cattle are exposed to internal parasites during much of the grazing season and impact cattle performance through appetite suppression, compromised digestion and absorption, and nutrient loss, resulting in decreased weight gain, reduced milk production, lowered reproductive performance and increased disease susceptibility.^{1,2} This often goes undetected due to subclinical infection, when symptoms may not be noticeable, but the financial impact is substantial. That's why having a consistent deworming protocol is important.



SAVINGS ON CYDECTIN®

Receive a **\$25/bottle rebate** with a 2-bottle minimum purchase of Cydectin Injectable.

Receive a **\$7/liter rebate** with a 5-liter minimum purchase of Cydectin Pour and Cydectin.

Qualifying products:

Cydectin Injectable, All Cydectin Pour On SKUs, Cydectin Pour On 10L, Cydectin Drench 1L, and Cydectin Drench 4L.

¹ Gadberry, S., Powell, J. 2019 "Internal parasites in beef and dairy cattle." University of Arkansas Division of Agriculture Cooperative Extension Service website. Available at: <https://www.uaex.uada.edu/publications/pdf/FSA-3045.pdf>. Accessed July 26, 2022.

² Smith, R., Rogers, K., Huse, S., et al. 2000. "Pasture deworming and (or) subsequent feedlot deworming with fenbendazole and its effects on grazing performance, feedlot performance and carcass traits of yearling steers." Bovine Practitioner. Available at: <https://bovine-ojs-tamu.tdl.org/bovine/index.php/bovine/article/view/1633>. 34(2):104-114. Accessed August 4, 2022.

When Temperatures Dive, Lice Thrive.

Most cattle come through summer lice free with only a few carriers reinfesting the herd. As temperatures drop, lice become more active, accelerating the reinfestation process. When animals begin to “hair up” and start showing early signs of lice such as rubbing on gates and fences with the onset of winter, it’s time to treat. To help tackle lice infestations it is important to establish a treatment plan that maximizes the impact of your efforts. For an effective kill, it is better to treat a little too late than a little too early.

SAVINGS ON LICE AND FLY CONTROL



August 1-31, 2024: Receive an **8% rebate** on purchase of qualifying products.

September 1-October 31, 2024: Receive a **5% rebate** on purchase of qualifying products.

\$500 minimum qualifying purchase

Qualifying products:

Clean Up™ II Pour-On Insecticide, Cylence® Pour-On Insecticide, Permethrin® CDS Pour On Insecticide all sizes.

Receive an additional **3% rebate** on Clean Up II when you purchase \$500 of ScourBos®.



Confidently Treat BRD when it strikes with Elanco anti-infectives and Zelnote® DNA Immunostimulant

Management and vaccination for BRD is a must. But antibiotics are still necessary for treatment when you can't control stressors like weather or transportation that leave cattle vulnerable to disease. The Elanco anti-infective portfolio provides unique options with leading brands offering distinctive modes of action that can be customized into an effective and efficient approach. In addition to our antibiotic offerings is Zelnote, an innovative technology which jump-starts the animal's immune system response at times of stress; Zelnote contains no antibiotics or preservatives making it an excellent choice for natural programs.

SAVINGS ON ELANCO ANTI-INFECTIVES

Receive a **10% rebate** with a minimum purchase of \$2500 on qualifying products!

Qualifying products:

Baytril® 100 (enrofloxacin), Increxxa® (tulathromycin injection), Micotil® (tilmicosin injection), and Loncor® 300 (florfenicol). All sizes qualify.



SAVINGS ON ZELNATE DNA IMMUNOSTIMULANT



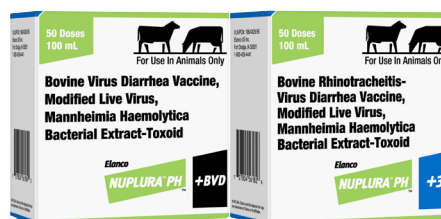
Buy 50 doses, receive **\$50 rebate**.
Minimum purchase 5-10 dose bottles
or one 50 dose bottle.

Prevent respiratory challenges with Elanco vaccines

Elanco vaccines protect against leading challenges such as BRD so cattle stay healthy and productive no matter where they go next. Our vaccine lineup incorporates advanced technology resulting in effective, flexible and safe tools for protection against challenging viral and bacterial diseases.

SAVINGS ON ELANCO CATTLE VACCINES

Receive a **10% rebate** with a minimum purchase of \$250 on select Elanco cattle vaccines!



Qualifying products:
Titanium® and Nuplura® PH.



Increase growth efficiency with Elanco implants

Implanting is one of the most profitable management tools available to cattle ranchers, consistently helping calves gain 15 to 40 pounds.³

SAVINGS ON ELANCO IMPLANTS

Receive **\$10/box** on Component® E-C, Component® TE-G, Component® E-C with Tylan (progesterone and estradiol benzoate and tylosin tartrate implants) and Component® TE-G with Tylan (trenbolone acetate and estradiol and tylosin tartrate implants).

Receive **\$15/box** on Component® TE-IH with Tylan (trenbolone acetate and estradiol and tylosin tartrate implants), Component® TE-IS with Tylan (trenbolone acetate and estradiol and tylosin tartrate implants), and Component® TE-200 with Tylan (trenbolone acetate and estradiol and tylosin tartrate implants).



Minimum qualifying purchase \$500.

³ Kuhl, G. Abstract: Stocker cattle responses to implants. Oklahoma State University Symposium: Impact of Implants on Performance and Carcass Value of Beef Cattle. 1997. 51-62.

Cydectin	Minimum purchase	Amount purchased		Rebate		Total \$
Cydectin Injectable	2 Bottles	Bottles:	x	\$25 per bottle	=	\$
Cydectin Pour On	5L	Liters:	x	\$7 per liter	=	\$
Cydectin Oral Drench (1L & 4L)	5L	Liters:	x	\$7 per liter	=	\$
Cydectin Subtotal:						\$
Fly Control	Minimum purchase	August 1-31, 2024 Dollars purchased x 8% rebate		September 1 - October 31, 2024 Dollars purchased x 5% rebate		Total \$
Clean Up™ II Pour-on Insecticide with IGR	\$500	\$ _____ x 8%	+	\$ _____ x 5%	=	\$
CyLence® Pour-on Insecticide		\$ _____ x 8%	+	\$ _____ x 5%	=	\$
Permethrin® CDS Pour-on Insecticide		\$ _____ x 8%	+	\$ _____ x 5%	=	\$
	ScourBos Dollars purchased	Clean Up II Dollars purchased		Rebate		Total \$
Receive an additional 3% rebate on Clean Up II when you purchase \$500 of ScourBos®	\$	\$	x	3%	=	\$
Fly Control Subtotal:						\$
Anti-Infectives	Minimum purchase	Dollars purchased		Rebate		Total \$
Baytril 100 (enrofloxacin)	\$2,500	\$ _____	x	10%	=	\$
Increxxa (tulathromycin injection)		\$ _____	x		=	\$
Micotil (tilmicosin injection)		\$ _____	x		=	\$
Loncor 300 (florfenicol)		\$ _____	x		=	\$
Anti-infective Subtotal:						\$
Zelnate DNA Immunostimulant	Minimum purchase	Doses purchased		Rebate		Total \$
Zelnate DNA Immunostimulant 10 Dose	50 doses	___ bottles x 10 doses = ___ doses	x	Total Doses/50 doses x \$50 rebate	=	\$
Zelnate DNA Immunostimulant 50 Dose		___ bottles x 10 doses = ___ doses	x		=	\$
Zelnate DNA Immunostimulant Subtotal:						\$
Vaccines	Minimum purchase	Dollars purchased		Rebate		Total \$
Titanium	\$250	\$ _____	x	10%	=	\$
Nuplura PH		\$ _____	x		=	\$
Vaccines Subtotal:						\$
Implants	Minimum purchase	Amount purchased		Rebate		Total \$
Component E-C	\$500	Boxes:	x	\$10/box	=	\$
Component TE-G		Boxes:	x		=	\$
Component E-C with Tylan		Boxes:	x		=	\$
Component TE-G with Tylan		Boxes:	x		=	\$
Component TE-IH with Tylan		Boxes:	x	\$15/box	=	\$
Component TE-IS with Tylan		Boxes:	x		=	\$
Component TE-200 with Tylan		Boxes:	x		=	\$
Implants Subtotal:						\$
TOTAL Rebate Request:						\$



ElancoCattleRebates.com

Submit rebate claim form and invoice(s)
POSTMARKED NO LATER THAN November 30, 2024, to:
2024 Elanco Cattle Fall Bonus Brand Savings
P.O. Box 1080
Dept: R13305
Grand Rapids, MN 55745-1080

Invoice copy(ies) or invoice statement(s) must accompany this form to obtain rebate.
Invoices or statements must clearly show:

- 1. Product name(s), product size(s) and date(s) purchased.
- 2. Name of company where product(s) was/were purchased and price paid.
- 3. Limit of 10 mail or online claim submission per household.

Producer Name																											
Physical Address																											
Mailing Address																											
City																		State			ZIP						
Phone Number																											
Email Address																											

I would like to receive future communications from Elanco about farm animal products.

Program Terms & Conditions

Ways to claim your rebate:

1. Online claims: Scan the QR code to be directed to the rebate claim forms online, or visit ElancoCattleRebates.com.
2. Mail-in claims: Complete a mail-in claim form and submit with proof of purchase (invoice) via mail.
3. Supplier Reported Claims (EDI): Qualifying purchases billed through an EDI-reporting distributor be aggregated at the end of the program. EDI-reporting distributor must report EDI sales to Elanco. Qualifying customers will automatically receive a rebate check in the mail.

Program Terms:

- Only producers are eligible for this program. Producers enrolled in any special Elanco pricing programs are not eligible for this rebate offer. Producers participating in the 2024 Elanco Fall Run Cattle Portfolio Offer are not eligible for this rebate offer.
- Purchases are cumulative August 1- October 31, 2024. Eligible purchases must be invoiced by October 31, 2024.
- Minimum rebate check amount is \$50.00. Allow at minimum 6 weeks for processing following program conclusion.
- Eligible products for the offer include: Baytril, Loncor, Zelnate, Cydectin Injectable, Cydectin Pour On, Titanium, Nuplura PH, Component E-C, Component E-C with Tylan, Component TE-G, Component TE-G with Tylan, Component TE-IH with Tylan, Component TE-IS with Tylan, Component TE-200 with Tylan Compudose, Encore, Clean up™ II Pour-on Insecticide with IGR, CyLence® Pour-On Insecticide, Permethrin® CDS Pour-on Insecticide. All SKUs are eligible. Offers valid while supplies last.
- Products that are on backorder and qualify for the rebate offer must ship during the program term to receive the rebate. Products that are on backorder and do not ship during the program term will not qualify for any rebate in this program. All product returns will be applied toward the subsequent program payout period.
- Producers who submit coupons via mail or online will not be eligible for EDI reported claims.
- Limit 10 mail or online claim submissions per household. Multiple proofs of purchase can be used per submission. One rebate will be calculated per submission. Qualifying rebates will be calculated for all invoices included in a submission and will not be calculated across multiple submissions.
- Mail and online rebate claim form and invoice(s) must be postmarked or submitted by November 30, 2024.
- Elanco reserves the right to vary the terms and conditions of this program or to cancel this program at any time upon notice through the website Elanco.com.
- For more information regarding this rebate program and eligibility, contact your Elanco Animal Health representative or call 800-364-2014.

For all products: The label contains complete use information, including cautions and warnings. Always read, understand and follow the label and use directions.

Keep Cydectin out of reach of children.

For all Component with Tylan implants:

Caution: Federal law restricts this drug to use by or on the order of a licensed veterinarian.

IMPORTANT SAFETY INFORMATION FOR MICOTIL Before using this product, it is important to read the entire product insert, including the boxed human warning.

Caution: Federal law restricts this drug to use by or on the order of a licensed veterinarian. Not for human use. Injection of this drug in humans has been associated with fatalities. Keep out of reach of children. Administer only with a tube-fed safety syringe. Do not use in automatically powered syringes, single-use syringes, or other delivery devices. Exercise extreme caution to avoid accidental self-injection. In case of human injection, consult a physician immediately and apply ice or cold pack to injection site while avoiding direct contact with the skin. Avoid contact with eyes. Always use proper drug handling procedures to avoid accidental self-injection. Consult your veterinarian on the safe handling and use of all injectable products prior to administration. For use in cattle or sheep only. Inject subcutaneously. Injection of this antibiotic has been shown to be fatal in swine and non-human primates, and may be fatal in horses and goats. Do not use in lambs less than 15 kg body weight. Do not use in female dairy cattle 20 months of age or older. Use in lactating dairy cattle or sheep may cause milk residues. The following adverse reactions have been reported: in cattle: injection site swelling and inflammation, lameness, collapse, anaphylaxis/anaphylactoid reactions, decreased food and water consumption, and death; in sheep: dyspnea and death. Micotil has a pre-slaughter withdrawal time of 42 days

Zelnate is based on technology developed by Juvaris BioTherapeutics and is patent protected. Animal health applications are being developed exclusively under the rights of Elanco and are protected by patents.

Baytril, Loncor and QuickBayt are sold by Elanco or its affiliates and are not Bayer products. The Baytril, Loncor and QuickBayt trademarks are owned by Bayer and used under license.

Clean-Up, Component, Cydectin, CyLence, Increxxa, Micotil, Nuplura PH+, Permethrin, Titanium, Tylan, Elanco and the diagonal bar logo are trademarks of Elanco or its affiliates.

Elanco™

Micotil™ 300™

250 mL

(tilmicosin injection)

300 mg tilmicosin, USP as tilmicosin phosphate per mL
For Subcutaneous Use in Cattle Only

Administer only with a tube-fed safety syringe. Do not use in automatically powered syringes, single-use syringes, or other delivery devices. Contact Elanco at 1-800-428-4441, or your distributor, for a tube-fed safety syringe for use with this product.

Caution: Federal law restricts this drug to use by or on the order of a licensed veterinarian. Before using Micotil, please consult the product insert, a summary of which follows:

Indications: For the treatment of bovine respiratory disease (BRD) associated with *Mannheimia haemolytica*, *Pasteurella multocida* and *Histophilus somni*. For the control of respiratory disease in cattle at high risk of developing BRD associated with *Mannheimia haemolytica*.

Approved by FDA under NADA # 140-929

Micotil must be used with the quick-fit connector made specifically for its use. Contact Elanco or your distributor for this equipment. Read product labeling, including Safe Handling Practices, before use.

Dosage and Administration: Follow instructions for activation of the shroud before first usage. Inject subcutaneously in Cattle Only. See Safe Handling Practices, Contraindications, and Warnings prior to use. In cattle, administer a single subcutaneous dose of 10 to 20 mg/kg body weight (1 to 2 mL/30 kg or 1.5 to 3 mL per 100 lbs).

Do not inject more than 10 mL per injection site. If no improvement is noted within 48-hours, the diagnosis should be reevaluated. For cattle injection under the skin in the neck is suggested. If not accessible, inject under the skin behind the shoulders and over the ribs.

Note: Swelling at the subcutaneous site of injection may be observed. See product insert for complete dosing and administration information.

CONTRAINDICATIONS: Do not use in automatically powered syringes, single-use syringes, or other delivery devices not specified in the labeling. Do not administer intravenously to cattle. Intravenous injection in cattle will be fatal. Do not administer to animals other than cattle. Injection of tilmicosin has been shown to be fatal in swine and non-human primates. Death following exposure to tilmicosin injection has been reported to FDA/CVM in goats, rabbits, pheasants, pigs, dogs, deer, cats, alpacas, and horses.

Residue Warnings: Animals intended for human consumption must not be slaughtered within 42 days of the last treatment. Not for use in lactating dairy cattle 20 months of age or older. Use of tilmicosin in this class of cattle may cause milk residues.

Precautions: The effects of tilmicosin on bovine reproductive performance, pregnancy and lactation have not been determined. Intramuscular injection will cause a local reaction which may result in trim loss of edible tissue at slaughter.

Storage Conditions: Store at or below 86 °F (30 °C). Protect from direct sunlight. Use within 84 days of first puncture. Date of first puncture: To report adverse effects, access medical information, or obtain additional product information, call 1-800-428-4441.

HUMAN WARNINGS: Not for human use. Injection of this drug in humans has been associated with fatalities. Keep out of reach of children. Administer only with a tube-fed safety syringe. Do not use in automatically powered syringes, single-use syringes, or other delivery devices. Exercise extreme caution to avoid accidental self-injection. In case of human injection, consult a physician immediately and apply ice or cold pack to injection site while avoiding direct contact with the skin. Emergency medical telephone numbers are 1-800-722-0987 or 1-800-428-4441. Avoid contact with skin, eyes or mucous membranes.

NOTE TO THE PHYSICIAN: The cardiovascular system is the target of toxicity and should be monitored closely. Cardiovascular toxicity may be due to calcium channel blockade. In dogs, administration of intravenous calcium offset Micotil-induced tachycardia and negative inotropy (decreased contractility). Dobutamine partially offset the negative inotropic effects induced by Micotil in dogs. β-adrenergic antagonists, such as propranolol, exacerbated the negative inotropy of Micotil in dogs. Epinephrine potentiated lethality of Micotil in pigs. This antibiotic persists in tissues for several days.

Adverse Reactions: The following adverse reactions have been reported post-approval: In cattle: injection site swelling and inflammation, lameness, collapse, anaphylaxis/anaphylactoid reactions, decreased food and water consumption, and death. For additional information about reporting adverse drug experiences for animal drugs, contact FDA at 1-888-FDA-VETS or <http://www.fda.gov/reportanimalae>

Effectiveness: In a multi-location field study, 1508 calves with naturally occurring BRD were treated with Micotil. Responses to treatment were compared to saline-treated controls. A cure was defined as a calf with normal attitude and activity, normal respiration, and a rectal temperature of <104°F on Day 13. The cure rate was significantly higher (P=0.004) in Micotil-treated calves (63.1%) compared to saline-treated calves (29.2%). During the treatment phase of the study, there were 10 BRD-related deaths in the Micotil-treated calves compared to 47 in the saline-treated calves.

How Supplied: Micotil (tilmicosin injection) is supplied in 250 mL multi-dose amber glass bottles in a non-removable polymer protector.

Manufactured for:
Elanco US, Inc. Greenfield, IN 46140, USA

Revised: 09/2021

Micotil, Elanco and the diagonal bar logo are trademarks of Elanco or its affiliates.

© 2023 Elanco or its affiliates. PM-US-23-1619

Instructions for Activation of the Shroud

Before first usage activate the shroud-vial-system as shown in the pictures. Administer only with a tube-fed safety syringe. Do not use in automatically powered syringes, single-use syringes, or other delivery devices. This product must be used with the quick-fit connector made specifically for use with Micotil (tilmicosin injection) that attaches to the shroud fitting. To obtain a tube-fed safety syringe and quick-fit connector, contact Elanco at 1-800-428-4441, or your distributor

Step 1.

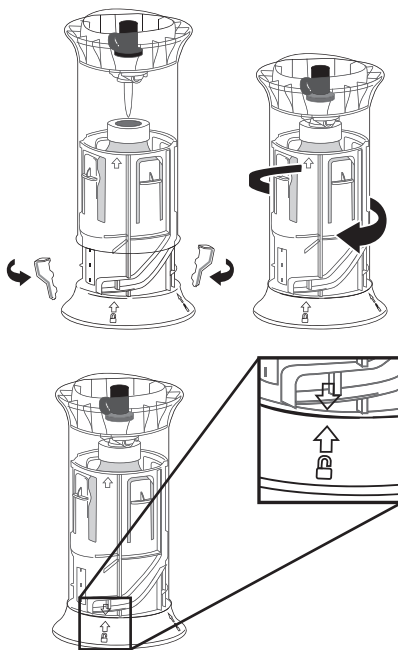
Twist the two tamper-evident tabs to break them off the Shroud Base.

Step 2.

Rotate the Shroud Top through a quarter-turn clockwise. The spike will pierce the vial closure, and the Shroud Top will lock into its final position by an audible "click".

Step 3.

The correct final position can be confirmed by the alignment of the 2 arrows as shown in the picture.

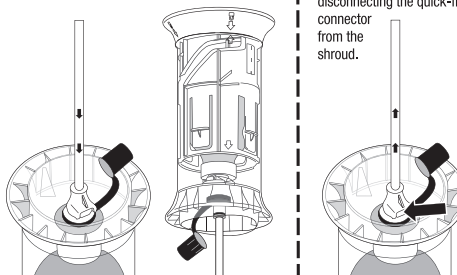


Step 4.

Remove the flexible cap from the fluid connection. Attach the quick-fit connector to tubing if not already attached. Push the quick-fit connector downwards onto the shroud fitting until it clicks into place.

Step 5.

Invert the Micotil Shroud, then prime the tube-fed safety syringe following manufacturer's instructions.



Return shroud to upright position after finishing operation. Leave tubing attached to tube-fed safety syringe and quick-fit connector until dosing equipment has been removed from the shroud. Remove dosing equipment by pushing the trigger as shown in the picture, then disconnecting the quick-fit connector from the shroud.

Micotil should not be stored in dosing equipment. Dosing equipment should be disconnected from the shroud after each use. Store product upright. The dosing equipment should be cleaned according to the manufacturer's instructions. Avoid contact with skin, eyes, or mucous membranes.

1. WHAT ARE THE POSSIBLE EFFECTS OF ACCIDENTAL HUMAN INJECTION?

Human injections of Micotil have been associated with fatalities. Clinical signs from human exposure include odd taste in the mouth, nausea, headache, dizziness, rapid heart rate, chest pain, anxiety, or lightheadedness. Local reactions such as injection site pain, bleeding, swelling or inflammation have been reported.

2. WHAT SHOULD I DO IN THE CASE OF ACCIDENTAL HUMAN INJECTION?

- Immediately seek medical attention.
- Apply ice or cold pack to injection site, while avoiding direct contact with the skin, and transport immediately to a hospital.
- Call 1-800-722-0987 or 1-800-428-4441 for further emergency information.

3. WHAT SHOULD MY PHYSICIAN KNOW IN THE CASE OF ACCIDENTAL HUMAN INJECTION?

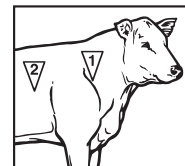
- The cardiovascular system is the target of toxicity and should be monitored closely.
- Cardiovascular toxicity may be due to calcium channel blockade.
- Intravenous calcium administration reversed the cardiovascular effects of Micotil in dogs and may provide benefit in patients exhibiting low blood pressure (hypotension) or rapid heart rate (tachycardia).
- Dobutamine improved some of the cardiac function in dogs given Micotil.
- Epinephrine increased the toxicity of Micotil in pigs, resulting in death.
- Propranolol (a beta-adrenergic antagonist) further decreased cardiac function in dogs given Micotil.
- The active ingredient in Micotil is tilmicosin phosphate and persists in tissue for several days.
- Call 1-800-722-0987 or 1-800-428-4441 for further emergency information.

4. WHAT ARE THE PROPER WAYS TO HANDLE AND STORE MICOTIL?

- Store at or below 86°F (30°C), out of direct sunlight, in a safe location, not easily accessible to the general public. Use within 84 days of first puncture. Store upright between product dispensing. Disconnect and clean dosing equipment for storing as per manufacturer's instructions.
- Avoid contact with skin, eyes, or mucous membranes.
- Read, understand, and follow all label use directions.
- Wash hands thoroughly with soap and water after handling.

5. WHAT ARE THE PROPER METHODS FOR ADMINISTERING MICOTIL?

- Properly restrain animals prior to administration.
- Work in a team, or if alone, advise someone of your location and how long you plan to be there.
- For subcutaneous use. Administer only with a tube-fed safety syringe. Do not use in automatically powered syringes, single-use syringes, or other delivery devices. Contact Elanco at 1-800-428-4441, or your distributor, for a tube-fed safety syringe for use with this product.
- Use a 1/2-inch to 5/8-inch, 18- to 16-gauge needle.
- With a single hand on the safety syringe insert the needle subcutaneously, at a top-down angle, while avoiding penetration of underlying muscle.
- For cattle, injection under the skin in the neck is suggested. If not accessible, inject under the skin behind the shoulders and over the ribs.
- In cattle, administer a single subcutaneous dose of 1.5 to 3.0 mL of Micotil (tilmicosin injection) per 100 lbs of body weight, in either of the two areas noted in the adjacent drawing.
- For beef cattle, Beef Quality Assurance recommends injection site 1, unless this site is inaccessible or places the operator in a potentially dangerous situation.
- Wash hands thoroughly with soap and water after administration.
- Do not administer intravenously (IV) as IV administration will be fatal.
- Intramuscular injection will cause a local reaction, which may result in trim loss.
- Do not inject more than 10 mL per injection site.
- Do not use in lambs less than 15 kg body weight.



6. WHAT ARE SAFE WAYS TO REMOVE AND CHANGE NEEDLES?

- Always follow the manufacturer's instruction of how to safely remove and change needles from the safety syringe.
- Plan for the safe handling and disposal of needles before use.
- Keep the needle capped until ready to use.
- Avoid recapping a used needle.
- To safely remove used needles, use tools appropriate for the specific type of safety syringe. Do not remove a use needle with your fingers.
- Dispose used needles in an appropriate sharps disposal container. Do not overfill sharps containers and do not put your fingers into a sharps container.
- Never place loose needles in household or public trash cans.